

## 579-1239AC TrueAlert ES Addressable Wall Mount Speaker Notification Appliances Back Box Installation Instructions

### UL listed TrueAlert ES product identification reference

Use the TrueAlert ES Wall Mount Speaker Notification Appliance Back Boxes for mounting certain TrueAlert ES appliances to the surface of a wall. The perimeter of the back box is lined with a gasket for a good fit to the appliance.

The back boxes are compatible with the TrueAlert appliances listed in the following table, refer to the appliance documentation for information about intended applications:

	PID	Color	Compatible TrueAlert ES appliances and equipment		
<b>Speaker Only back box</b>	A49WPBB-SOWR A49WPBB-SOWW	• Red • White	<b>Backplates:</b> A49MP-SOWR A49MP-SOWW	<b>Indoor modules:</b> A49SO-APPLW A49HF-APPLW A49SO-APPLW-BA A49HF-APPLW-BA	<b>WeatherProof modules:</b> A49SO-APPLW-O A49SO-APPLW-O-BA
<b>Speaker/Visible back box</b>	A49WPBB-SVWR A49WPBB-SVWW	• Red • White	<b>Backplates:</b> A49MP-SVWR A49MP-SVWW	<b>Modules:</b> A49SV-APPLW A49HFV-APPLW A49SV-APPLW-BA A49HFV-APPLW-BA	<b>WeatherProof modules:</b> A49SV-APPLW-O A49SV-APPLW-O-BA
<b>Kit Contents</b>	Back box x1, with 8-18 by 1/2 inch thread-forming screws x 4.				
<b>Not included</b>	True Alert ES notification appliance True Alert ES notification appliance backplate Silicone compound (required for outdoor (WeatherProof) appliance applications) Gasket for the conduit entrance (required for outdoor (WeatherProof) appliance applications)				

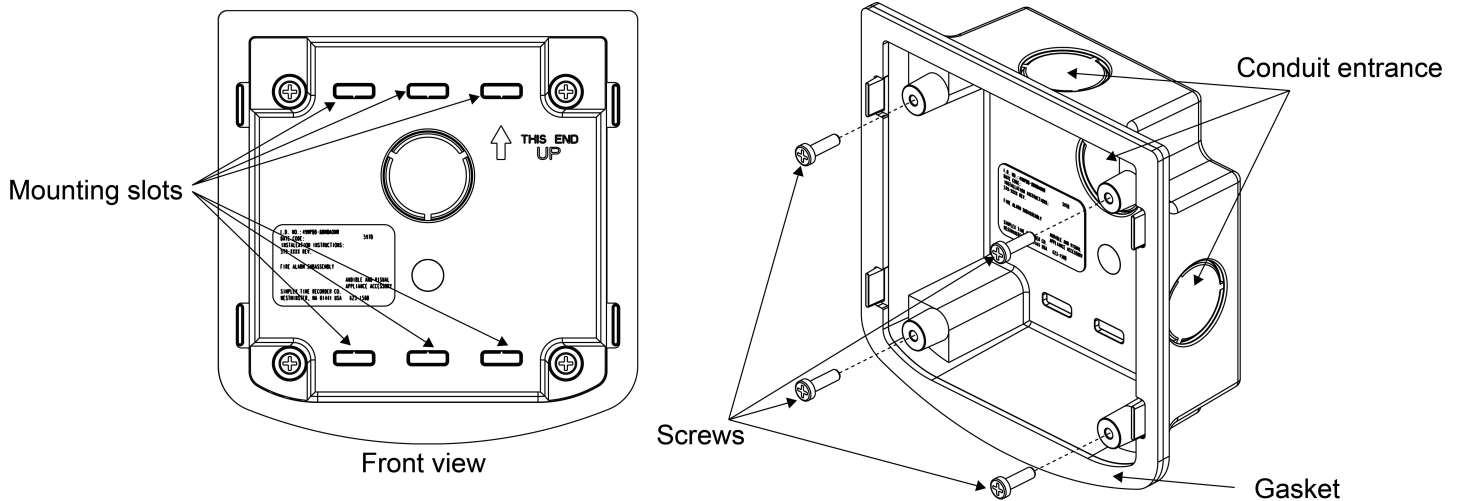


Figure 1: Wall mount Speaker Only (SO) appliance back box



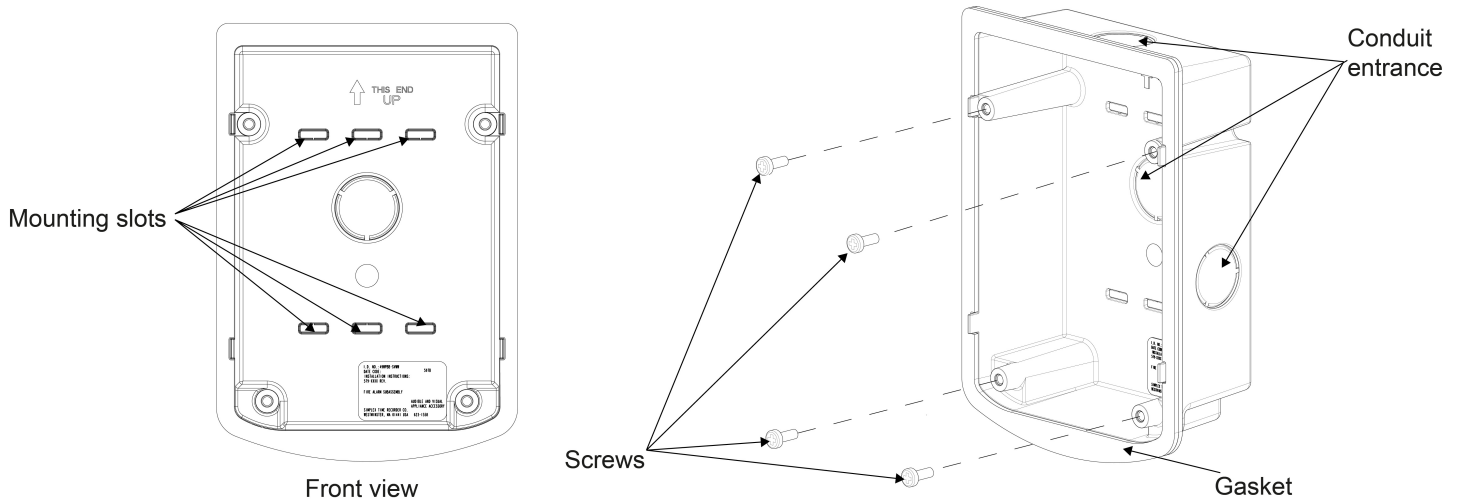


Figure 2: Wall mount Speaker/Visual (S/V) appliance back box

## Mounting instructions

1. Use the mounting slots on the inside of the box to mount the back box to the wall, with the text "THIS END UP" at the top, see Figure 1. The mounting slots are compatible with number 8 screws.
2. The mounting slots are spaced to fit to the mounting screw positions of the single-gang or double-gang electrical box. Punch through the mounting slots you need for mounting the back box. The conduit knockouts are compatible with 3/4 inch (19.05 millimeter) diameter conduit.
3. If outdoor (WeatherProof) application, use silicone glue to coat around each of the screw heads and exposed slot areas to maintain environmental seal after fully tightening the screws.
4. The field wiring connects to the appliance terminals, as outlined in the appliance installation instructions.
5. Use the four 8-18 1 inch mounting screws on the mounting bosses to secure the back plate to the back box, see Figures 1 and 2.
6. Snap the appliance cover onto the appliance.

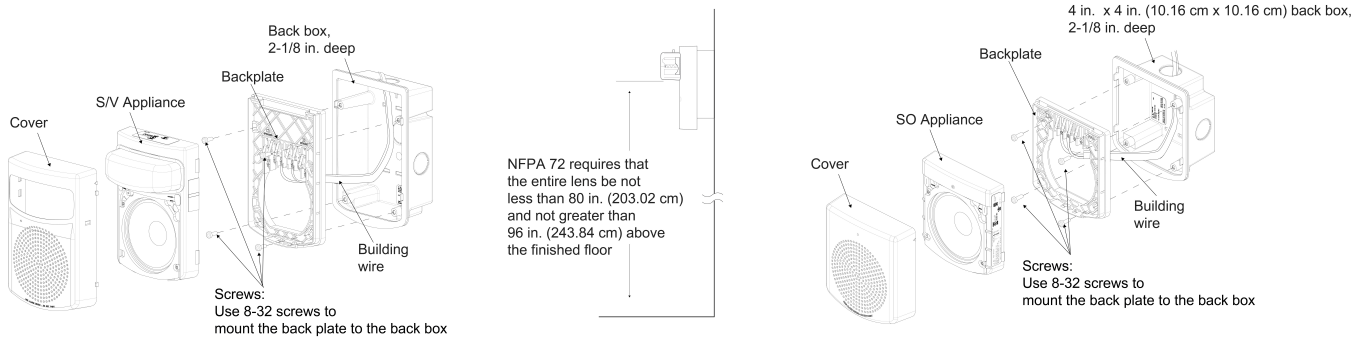


Figure 3: Mounting the notification appliance to the back box