

## A2084 FireFighter Cabinet Phone Assembly Installation Instructions

### Cautions, Warnings, and Regulatory Information

**READ AND SAVE THESE INSTRUCTIONS** Follow the instructions in this installation manual. These instructions must be followed to avoid damage to this product and associated equipment. Product operation and reliability depend upon proper installation.



**DO NOT INSTALL ANY AUTOCALL™ PRODUCT THAT APPEARS DAMAGED** Upon unpacking your Autocall product, inspect the contents of the carton for shipping damage. If damage is apparent, immediately file a claim with the carrier and notify an authorized Autocall product supplier.



**ELECTRICAL HAZARD** Disconnect electrical field power when making any internal adjustments or repairs. All repairs should be performed by a representative or an authorized agent of your local Autocall product supplier.



**STATIC HAZARD** Static electricity can damage components. Handle as follows:

- Ground yourself before opening or installing components.
- Prior to installation, keep components wrapped in anti-static material at all times.



**RADIO FREQUENCY ENERGY** This equipment has been tested and found to comply with the limits for a Class A digital device, pursuant to part 15 of the FCC Rules. These limits are designed to provide reasonable protection against harmful interference when the equipment is operated in a commercial environment. This equipment generates, uses, and can radiate radio frequency energy and, if not installed and used in accordance with the instruction manual, may cause harmful interference to radio communications. Operation of this equipment in a residential area is likely to cause harmful interference in which case the user will be required to correct the interference at his own expense.

**SYSTEM REACCEPTANCE TEST AFTER SOFTWARE CHANGES** - To ensure proper system operation, this product must be tested in accordance with NFPA 72 after any programming operation or change in site-specific software. Reacceptance testing is required after any change, addition or deletion of system components, or after any modification, repair or adjustment to system hardware or wiring. All components, circuits, system operations, or software functions known to be affected by a change must be 100% tested. In addition, to ensure that other operations are not inadvertently affected, at least 10% of initiating devices that are not directly affected by the change, up to a maximum of 50 devices, must also be tested and proper system operation verified.

### Introduction

This document describes the installation of the A2084 series Firefighter phone assembly models (A2084-9001, A2084-9002, A2084-9003, A2084-9006, A2084-9007, A2084-9008, A2084-9009, A2084-9014, A2084-9018, A2084-9021, A2084-9022, A2084-9024) into the phone back box (A2975-9053 purchased separately). It is assumed that the phone back box is already installed. Refer to publication *Fire Fighter Phone System Installation Instructions 579-226AC* for wiring and operation of the Firefighter's phone systems.



## 1.0 Installing the A2084 Phone Assembly

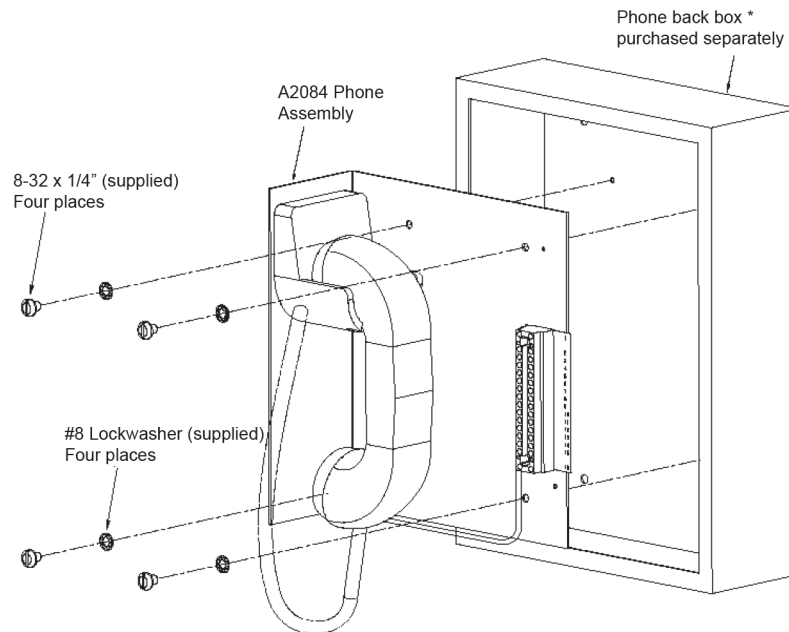


Figure 1: Installing the A2084 Phone Assembly

\* A2975-9053

1. Place the A2084 Phone Assembly into the back box as shown.
2. Align the four holes on the mounting plate of the phone assembly with the threaded holes on the back box.
3. Fasten the mounting plate to the cabinet using #8 lockwashers and 8-32 x 1/4" screws.

## 2.0 Installing the Door Assembly

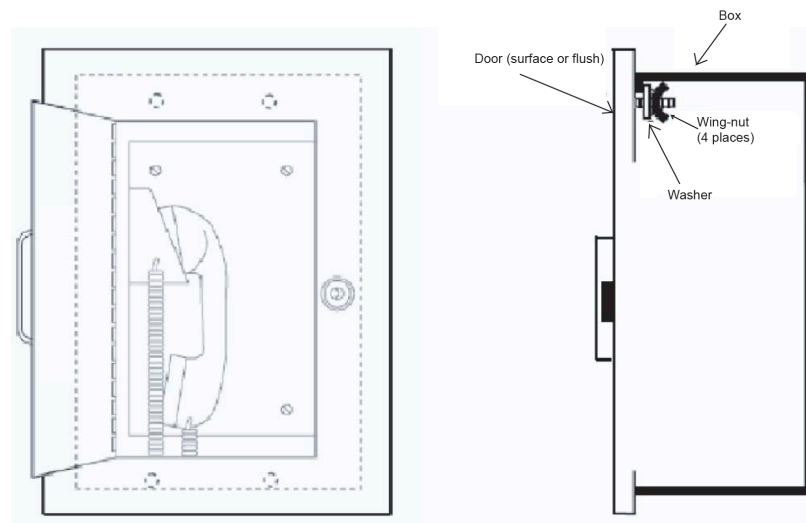


Figure 2: Installing the Door Assembly

1. Place the door assembly over the box.
2. Open the door and locate the studs.
3. Place the lockwasher (supplied) over the stud so that it overlaps the box and secure it with the wing-nut (supplied). Do not fully tighten.
4. When all four are in place, center the door as required and tighten the wing-nuts securely.